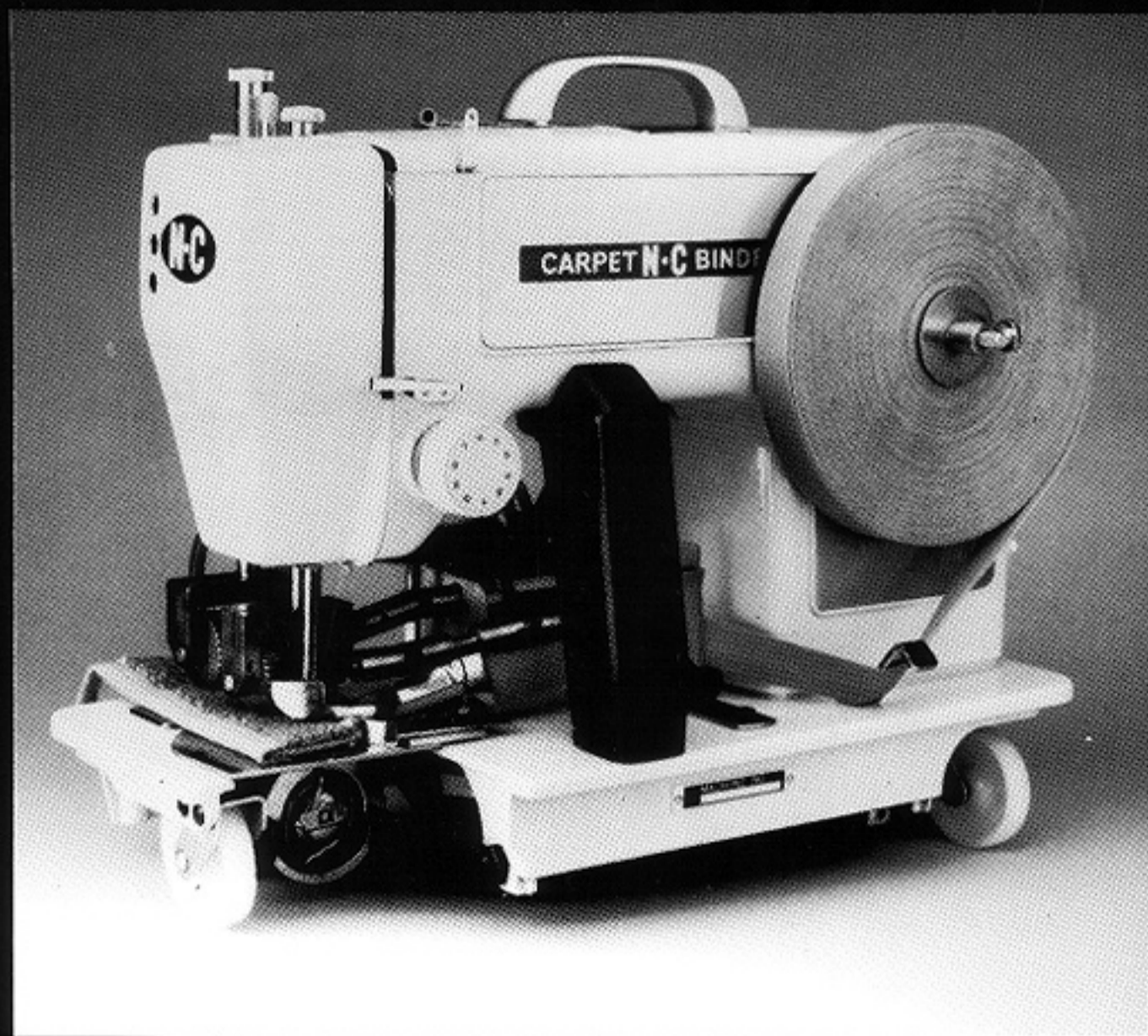




**PBS-2 & PBT  
PORTABLE  
CARPET BINDERS  
INSTRUCTION  
MANUAL**



# About The Company/Introduction

---

N-C, (a division of Newark Caplan Sewing Machine Co., which has served the needle trade for over 60 years), has proven its superiority with years of continued performance and customer satisfaction, attesting to its quality and dependability.

**WORLD-WIDE . . . YOU'LL FIND NO FINER MACHINERY FOR CARPET BINDING, FRINGING, SERGING, CUTTING, BEVELING, SHEARING, CARVING AND SCULPTURING.**

This instruction booklet has been written to help you operate your N-C Portable Carpet Binder. In order to obtain the maximum efficiency from this machine, we urge you to study this booklet prior to using the Binder for the first time.

Send any questions regarding the operation of the N-C Carpet Binder to:

**N-C Carpet Binding & Equipment Corp.  
858 Summer Avenue  
Newark, NJ 07104**

**(201) 481-3500**

When writing, please indicate the serial number found on the machine's name plate. This number identifies your machine's type and model. It is essential in identifying replacement parts. For future reference we suggest that you record your number here.

# \_\_\_\_\_

Note: This machine has been factory assembled and pre-tested. Should it ever need factory service, it must be returned in the original factory carton. Machines not properly packed, or shipped in other than original cartons, are shipped at your own risk. Your machine is in one carton. The carry case is in another.

## **DO NOT DISCARD CARTON**

**As you remove the machine from the carton, notice how it is packed.**

**Save the carton should shipment for repairs ever be required.**

You will notice a piece of carpet attached to the machine. This indicates the machine is

**"READY TO USE"**

## Table Of Contents

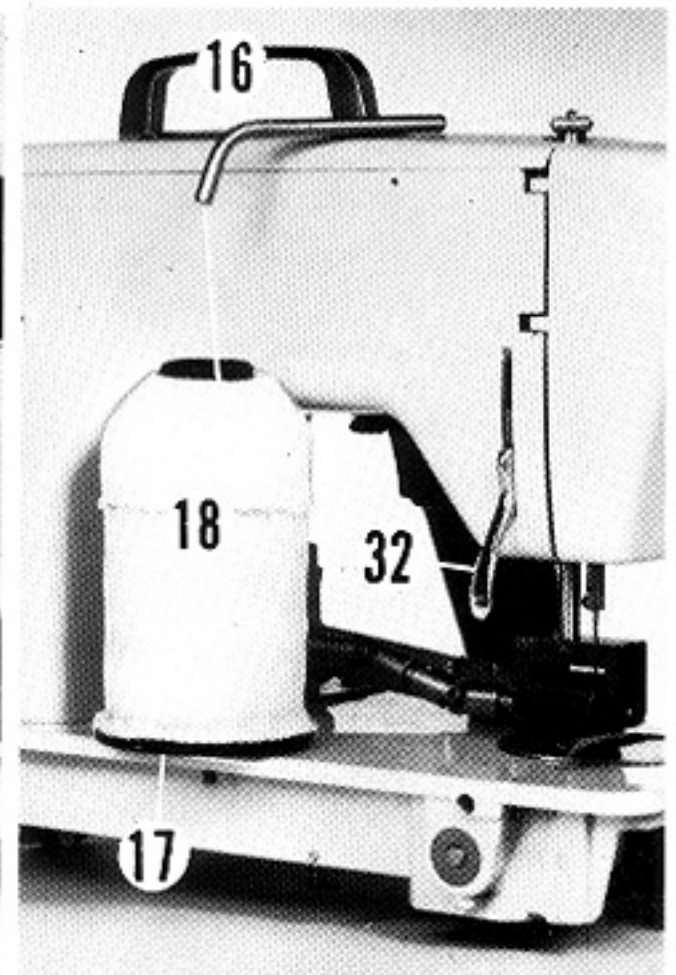
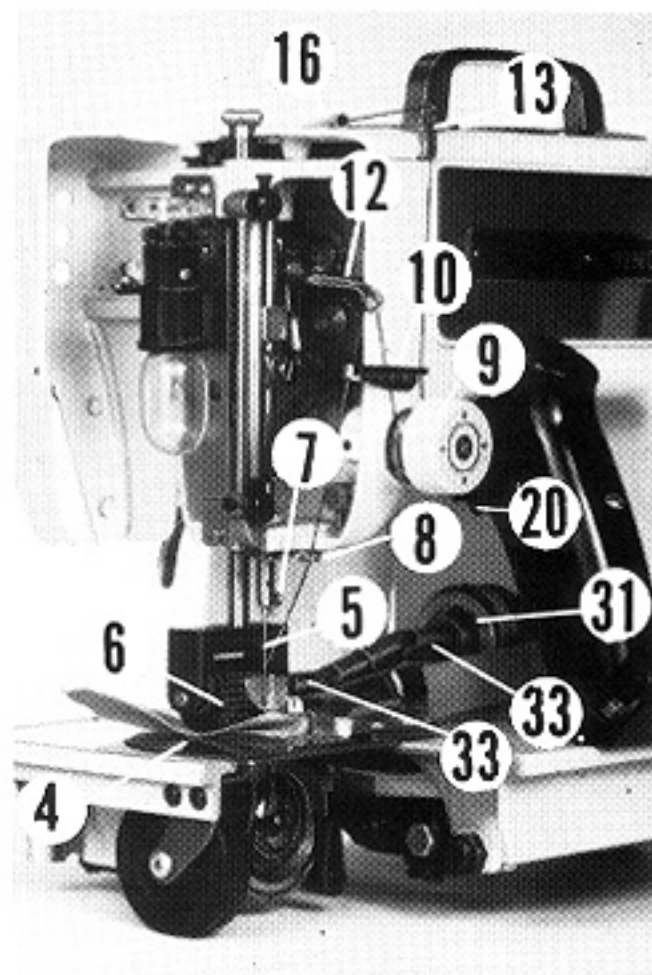
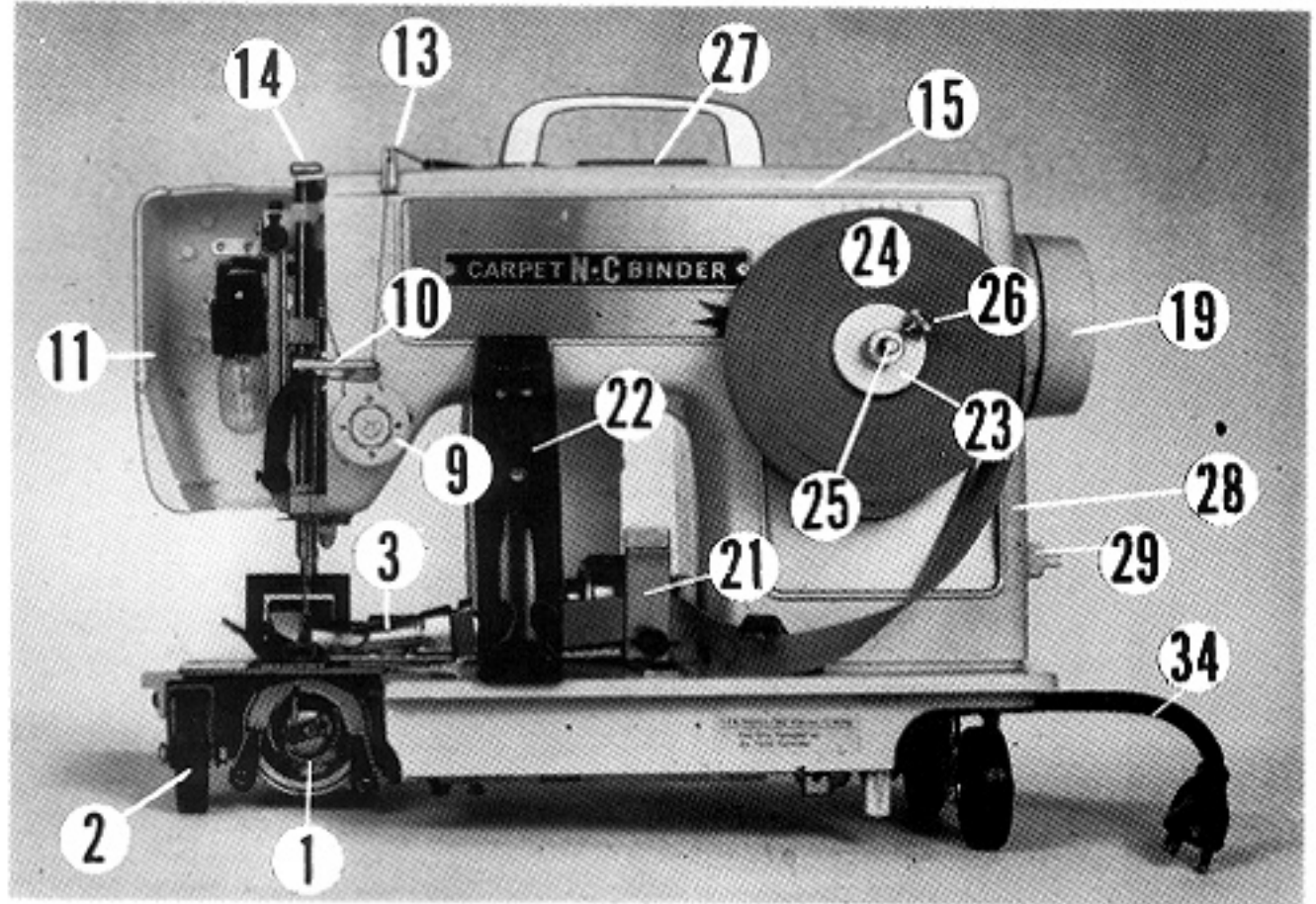
---

Set-Up and Operation	2
Binding Corners	3
Changing the Needle	4
Placement and Threading of Binding	4
Threading Upper Machine	5
Inserting Bobbin Thread	6
Adjusting Thread Tensions	7
Binder	7
Cleaning & Oiling	8
Top Roller Feed Adjustment	10
Timing	11
Sewing Light	12
Feed Dog Adjustment	12
Troubleshooting	13
Other N-C Products	14
Supplies	14

## Set-Up & Operation

**IMPORTANT:** Always turn the hand wheel toward you in a counter-clockwise direction. When machine is inactive, place a piece of material (binding tape) over the feed dog and under the lowered top roller feed. Always have binding tape under the top roller feed when operating the machine, as operating without binding will cause it to jam.

1. Hook/Shuttle Assembly
2. Left Wheel & Caster Bracket
3. Binder
4. Needle Plate
5. Needle
6. Top Roller Feed and Frame
7. Needle Bar Screw
8. Lower Thread Guide
9. Tension Dial Assembly
10. Center Thread Guide
11. Front Cover Plate
12. Thread Take-Up
13. Upper Thread Guide
14. Top Roller Feed Pressure Control Knob
15. Cover Plate & Handle
16. Thread Tube
17. Spool Support
18. Spool of Thread and Sock
19. Hand Wheel
20. Motor Trigger Switch
21. Binding Tape Tension Assembly
22. Pull Handle
23. Binding Tape Bracket
24. Binding
25. Binding Holding Pin
26. Thumb Screw to Secure Binding to Pin
27. Serial Number
28. Motor Cover Plate (3 Screws, 1 Short)
29. Light Switch
30. Motor Belt (On inside of #23)
31. Clutch Assembly (Second Clutch Inside)
32. Top Roller Lifting Lever
33. Universals (A&B)
34. Cord



# Set-Up and Operation

---

Follow these steps in sequence to set up your new machine:

1. Study front and back of machine.
2. Loosen binding bracket screw, pull out binding pin, remove bracket and attach the binding tape. Replace bracket, tighten thumbscrew. (See page 4 for details.)
3. Turn hand wheel toward the operator (counter-clockwise) to lift the needle to top dead center. The wheel must always be turned in this direction.
4. Lift top roller feed with lifting lever on back of machine.
5. Remove carpet sample and cut binding that is trailing off the carpet.
6. Refer to page 5 for threading upper machine.
7. Study machine and threading diagram before removing thread.
8. Refer to page 4 for threading of binding.
9. Cut the end of the tape to a point.
10. Thread binding tape through tape tension assembly. Note: When the tape is being pulled through the tape tension assembly, the binding should unwind clockwise.
11. Lift top roller feed with lifting lever, place tape between feed roller and bottom feed.
12. Refer to page 6 for instructions on how to remove bobbin case from shuttle.
13. Refer to page 6 for instructions on how to insert bobbin into bobbin case and case into shuttle.
14. Connect the machine by plugging cord into any 110-120V wall outlet.
15. The sewing light is located inside the face cover plate, as shown on page 8. Turn on or off by pushing the light switch.
16. Place the corner of the carpet into the mouth of the binder. Be sure to keep the carpet snugly against the right side of the binder mouth. Do not place carpet directly under needle as this might cause needle to break or machine to jam. Carpet will automatically feed as tape is drawn under feed wheel.
17. To begin binding, trigger the motor switch using the forefinger of your right hand. Pull machine lightly but firmly into the carpet and toward your body. This machine binds at a rate of 8' per minute. Do not pull any faster than the carpet can be fed naturally through the machine. If you do, a clattering sound will result, indicating serious damage being done to your machine.
18. Allow the machine to travel around the carpet on the floor, free from any obstructions, including power cord.

## Binding Corners

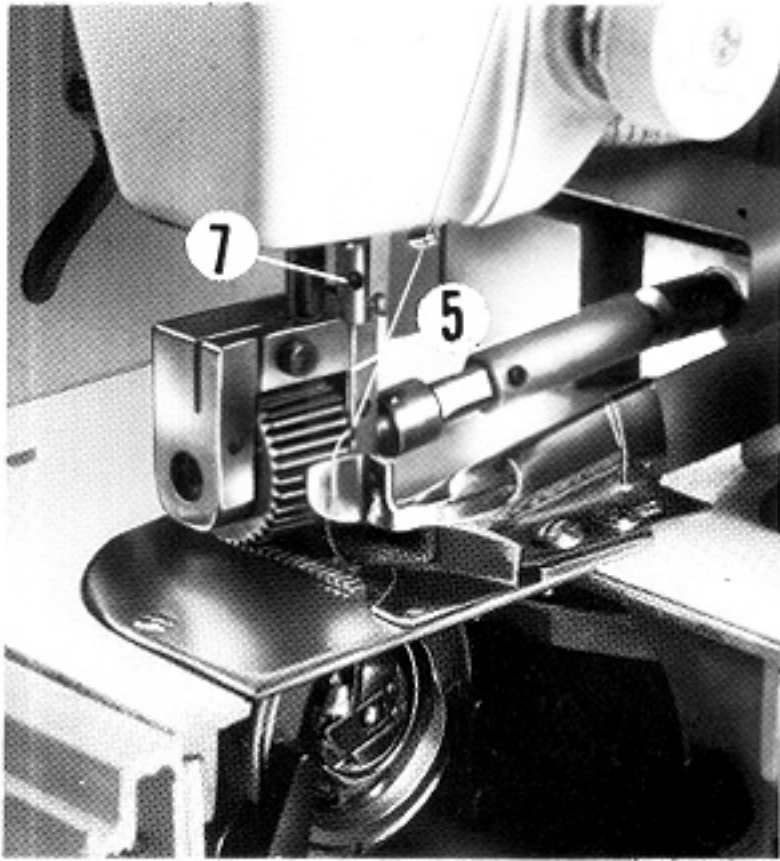
---

Corners may be handled in two ways:

1. Two-piece corner:  
When nearing the corner, allow the carpet to run through the machine. Trim the binding tape 1/4" past the corner. Turn the carpet (or machine) and restart the same corner into the machine and allow that 1/4" tail to be covered with the new binding tape. You will notice that a tail of binding about 1 1/4" long will appear at the corner. If longer, trim to 1".  
Two methods are generally used to fasten the tail to the back of the carpet.
  - A. Place a bead of Fabstic (or similar) Latex Seaming Adhesive on the back of the binding tape, fold the tape back and press into the backing of the carpet, spreading out the latex adhesive.
  - B. Using the Carpet Hand Binding Stapler with the depth-stop removed, staple the tail back. When binding cut-pile carpets, pluck up any nap drawn down by the staple.)
2. One-piece corner:  
At end of carpet, stop the machine with the needle on the left side of stroke and down into the binding at its lowest position. Lift the top roller feed with lifting lever and either swing machine around or turn carpet. Before starting to sew, pull some binding tape through the binding tape tension, as this will relieve the tension and help prevent the carpet corner from curling. Lower the lifting lever. Help carpet into feed wheel when re-starting.

NOTE: Failure to put slack into the binding tape can curl the edge of soft-back carpet.

## Changing The Needle



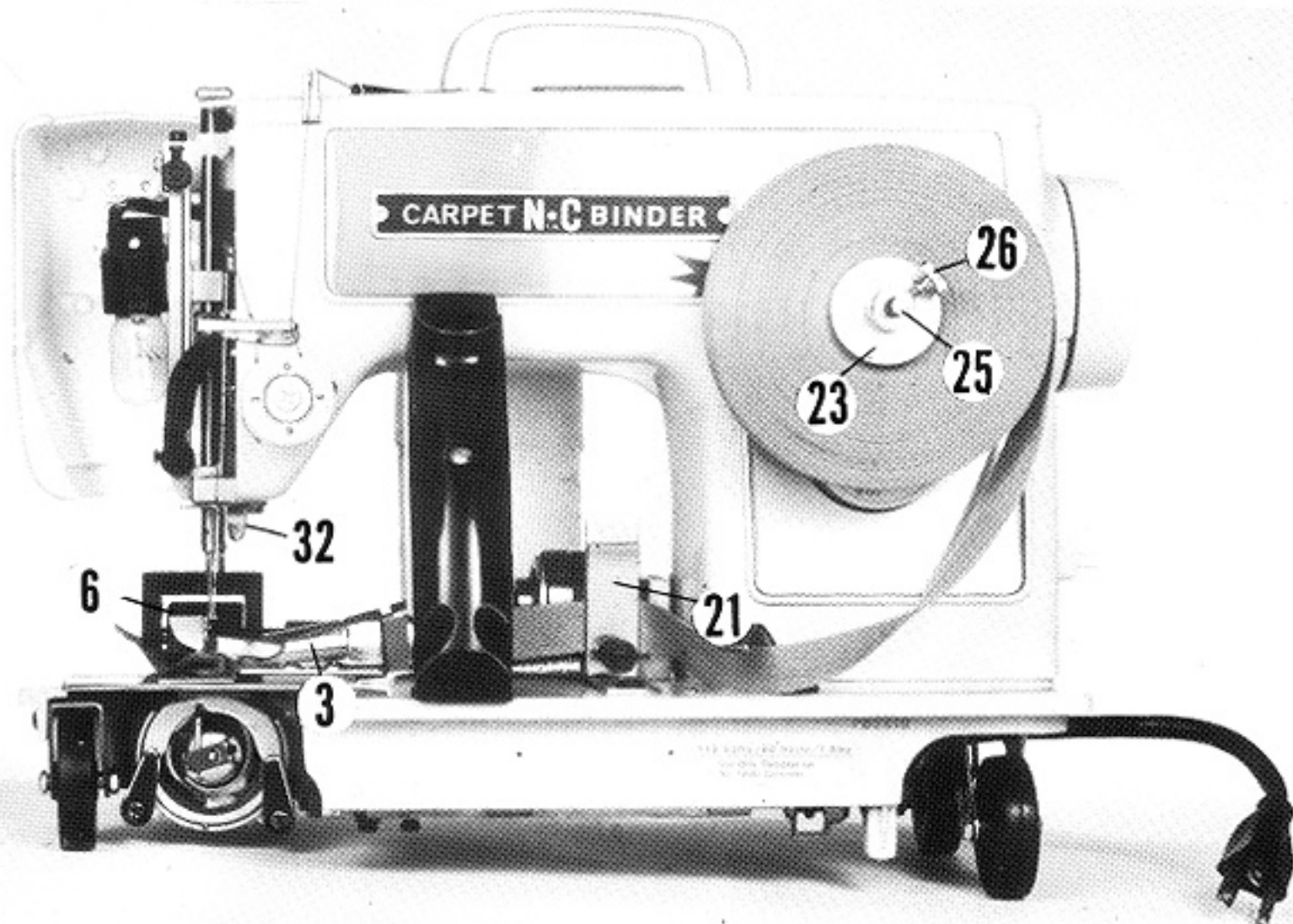
Use Needle NC 435 No. 22 DIA only.

Replace a bent or blunt needle with a System 435 Diamond size #22 needle (140 metric) (5). This needle has a front with a long slot, and a back which has a cut-out just above the eye of the needle called a "scarf". For best results always use a new, sharp needle.

Turn the hand wheel toward you (counter-clockwise) and raise the needle bar to its highest position. Hold the needle with the scarf away from you, the long slot facing forward, and slip the needle as far as it will go into the needle bar. Tighten the needle bar screw (7) using screwdriver provided.

Note: If the needle is put in backwards, the long slot will be facing to the back of the machine and serious damage to the lower hook assembly may result. Always be sure the slot is facing toward you with the needle "scarf" to the back of machine.

## Placement and Threading of Binding



Loosen thumbscrew (26), pull out binding pin (25), remove bracket (23) and attach binding tape so it unwinds clockwise. Replace bracket and tighten thumbscrew.

Feed tape through binding tape tension assembly (21).

Cut end of tape to a point, feed through binder (3) using a tweezer to pull tape through.

Binder guide designed to correctly fold tape for automatic feed and binding.

Lift top roller feed (6) with lifting lever (32). Place tape under feed wheel and lower lifting lever before operating.

See set-up and operation (page 3) items 16, 17 & 18 for binding carpet.

## Threading Upper Machine

1. Place a full spool of thread on the spool support.  
Note: Be sure the sock is placed on spool of thread. This prevents the thread from falling off or becoming entangled with the thread tube. When the spool of thread is half used, or when the sock becomes loose, tighten it by either soaking in water and allowing it to dry overnight, or folding the side of the sock over and taping the excess material.
2. Center the spool of thread on spool support, making sure spool is not making contact with machine, as this will cause thread to break.
3. Insert thread through tube (16), upper thread guide (13).
  - A. Holding thread in both hands, slip thread between discs of thread tension assembly (9).
  - B. With thread between discs, pull straight up with both hands until a click is heard.
  - C. With left hand, lift thread up. This will pull the spring wire loop (check spring) up and past the top hook until the thread can be slipped into the hook (see Diagram A). When hands are released, the spring wire loop will return to position as shown with the thread in its proper place.
  - D. Pass thread through center guide (10).
4. With thread take-up in the up position (12), guide thread through take-up from right side.
5. Place thread through thread center guide (10).
6. Thread the eyelet from the front (8).
7. Place thread through front of the needle eye, pull through at least 6" of excess thread (Diagram B).

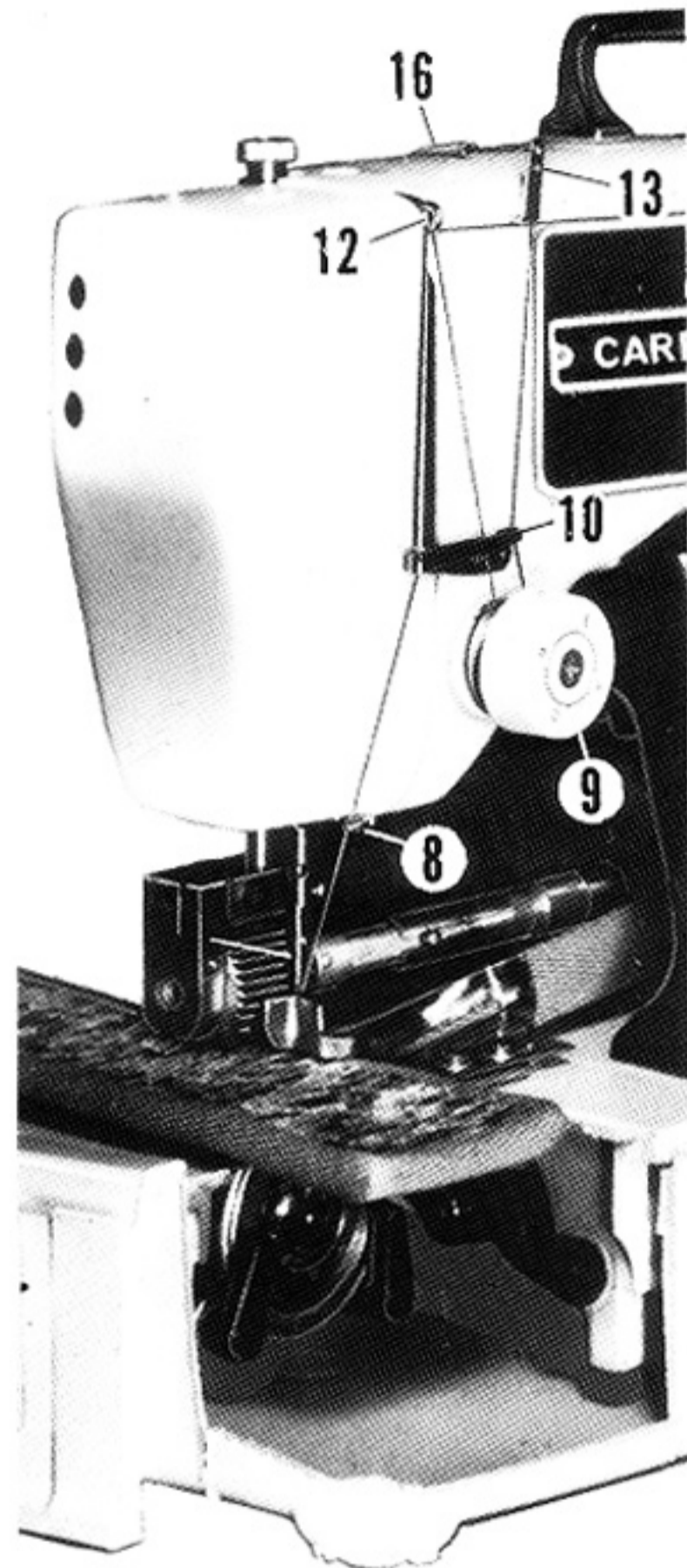


DIAGRAM A

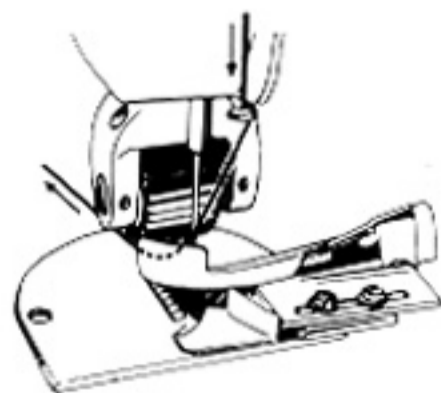
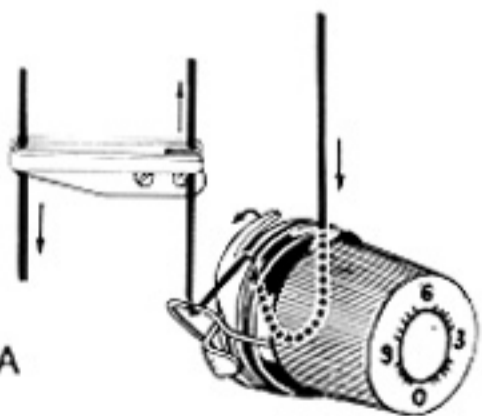
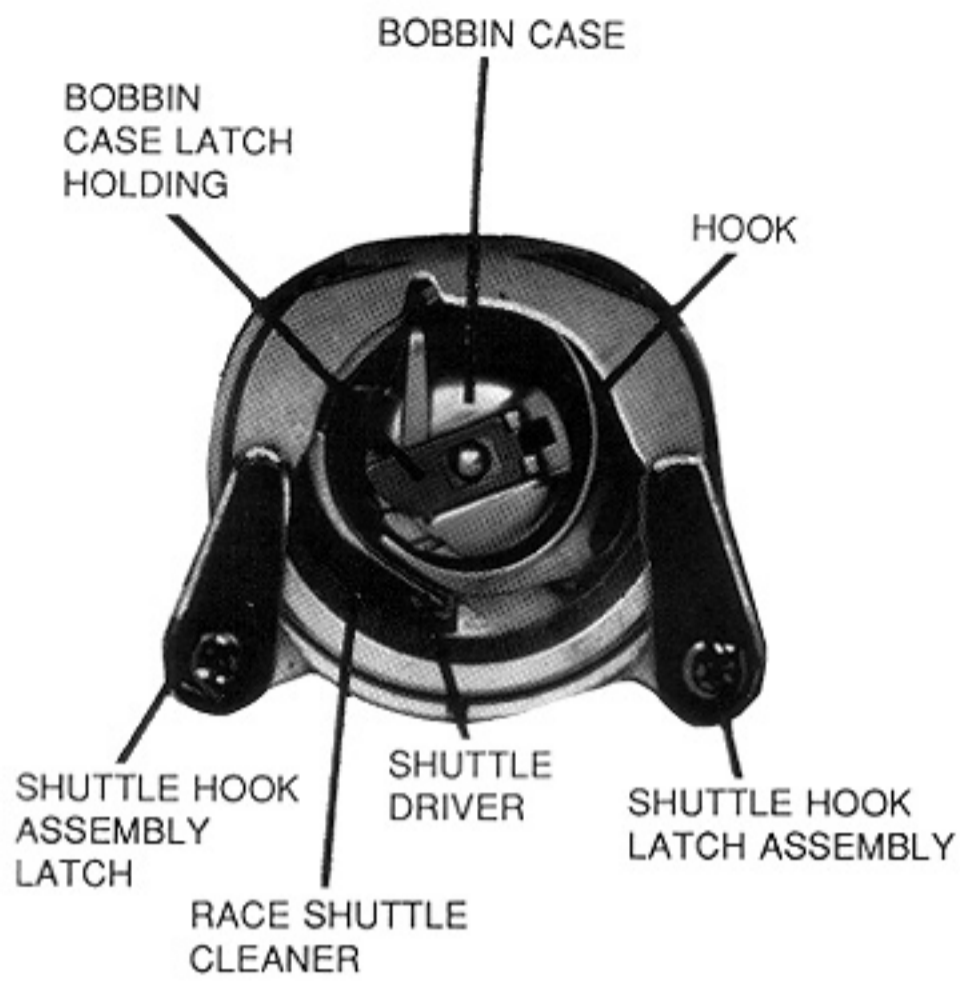


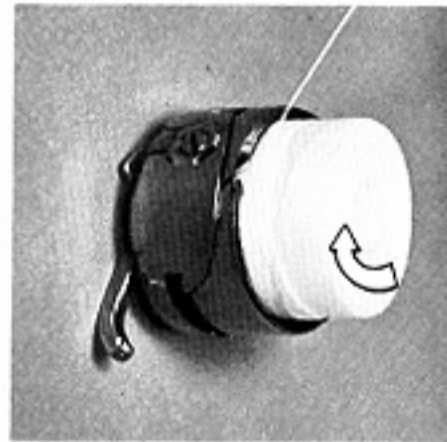
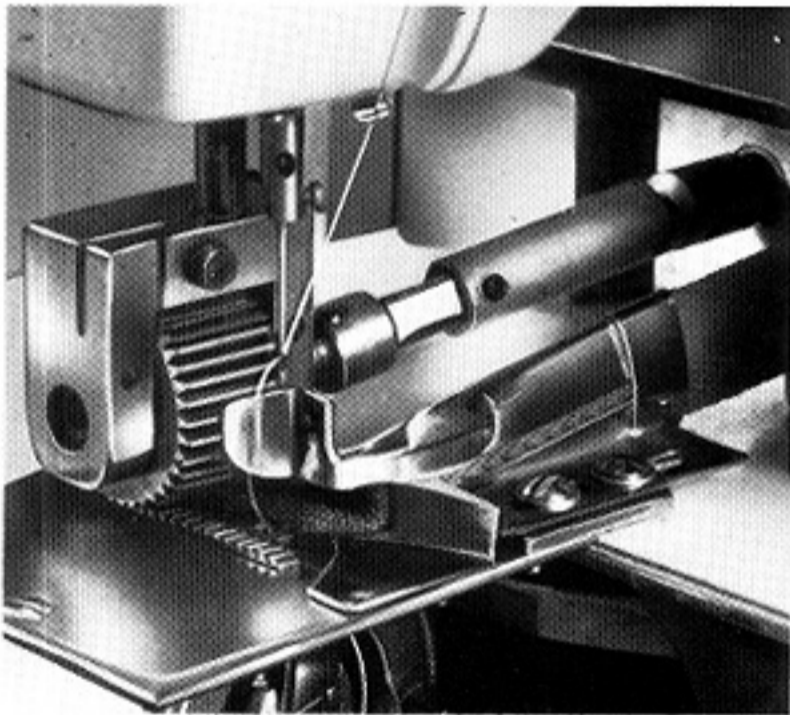
DIAGRAM B

# Inserting Style "A" Bobbin Thread

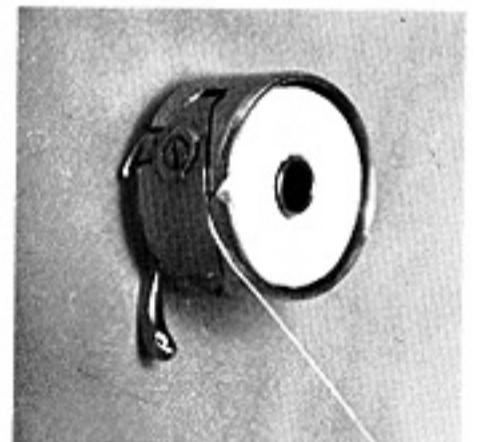


To remove bobbin case from hook shuttle assembly:

1. Set needle bar to its highest position.
2. Pull out the holding latch.
3. Pull bobbin case straight out.
4. Insert bobbin into bobbin case. Bobbin should unwind clockwise. (Diagram A).
5. Guide thread through slot in bobbin case. (Diagram B).
6. Pull thread under tension spring. (Diagram C).  
NOTE: When pulling thread through tension spring, hold bobbin with your thumb to prevent it from turning.
7. Drape about 4" of thread over the holding latch side of the bobbin case.
8. Position bobbin case into hook shuttle assembly with stem facing up. Push bobbin case in until it clicks.
9. To pick up the bobbin thread, hold the needle thread tightly in the left hand and rotate handwheel toward you for two complete turns. This will automatically pick up the bobbin thread and start stitches in the binding tape. **DO NOT PULL NEEDLE THREAD OR BINDING TAPE; LET THEM FEED THROUGH THE MACHINE NATURALLY.**
10. Engage machine switch and run one foot of binding.



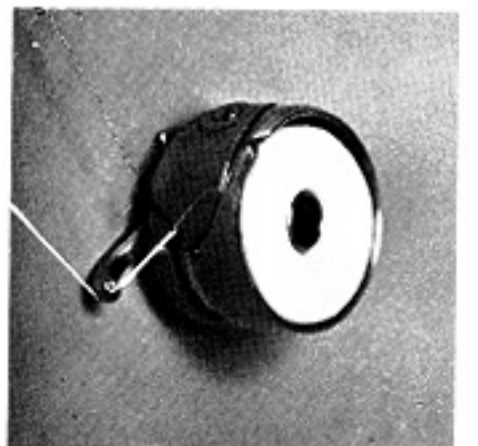
DIAG. A



DIAG. B



ILLUS. 2C

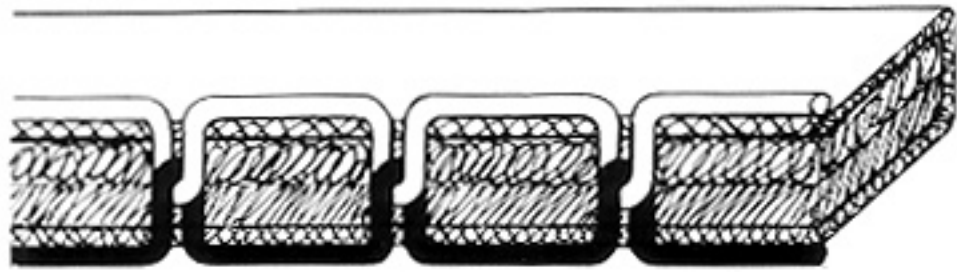


DIAG. C

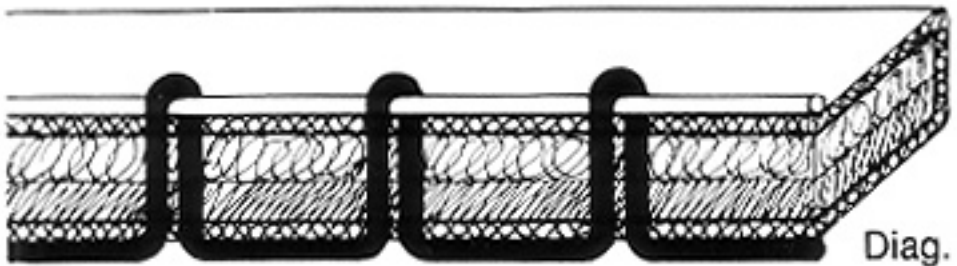


ILLUS. 2B

# Adjusting Thread Tensions

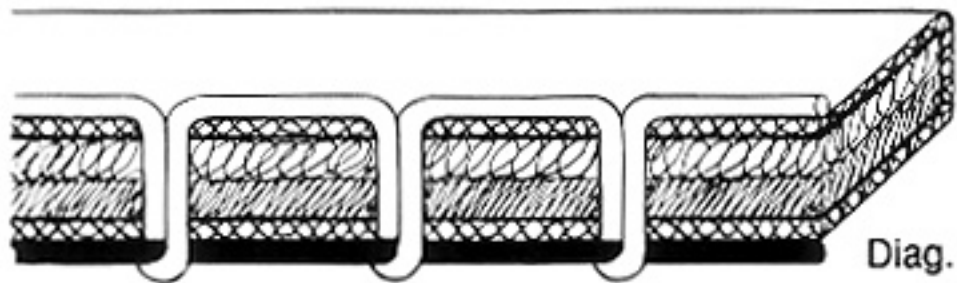


A perfect stitch will have threads locked in the carpet with no loops on top or bottom and look like this:



Diag. 4

Upper thread too tight.



Diag. 5

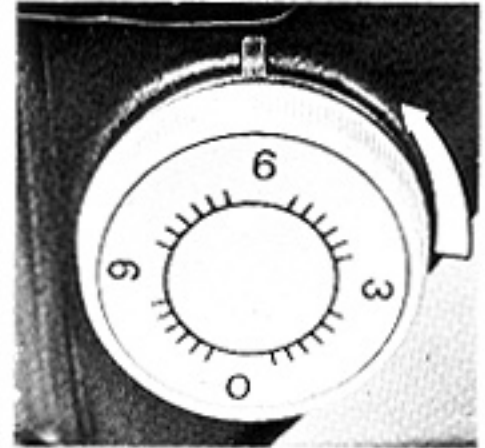
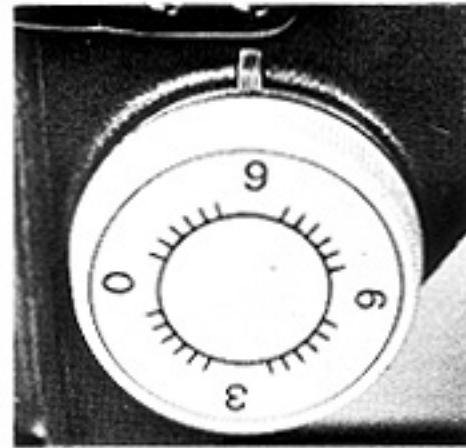
Upper thread too loose.

Lower thread tension requires adjustment infrequently. If a perfect stitch is not possible by adjusting the upper thread tension, then adjust the lower tension.

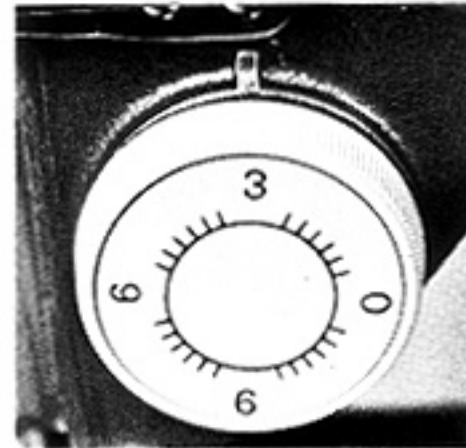
To adjust the tension on the bobbin case, make slight adjustments with a screwdriver - 1/8 turn in either direction is generally enough to correct adjustment.

When stitching is incorrect, as in Diagrams 4 & 5, adjust the upper thread tension.

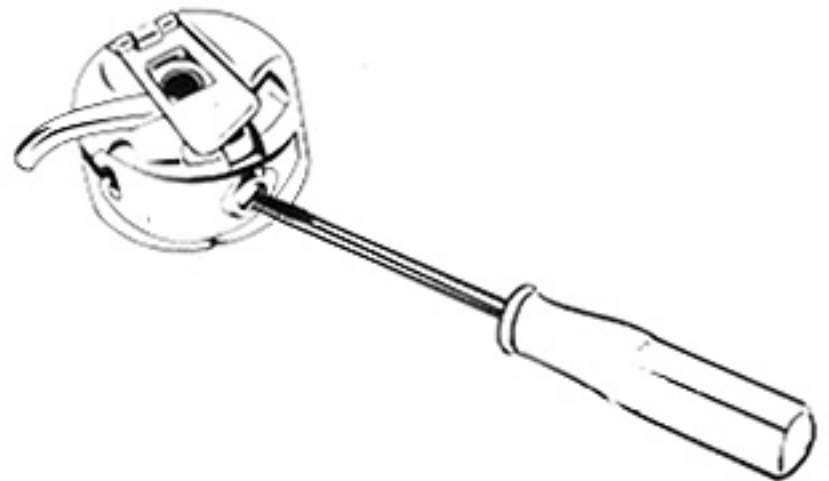
The upper thread tension is factory adjusted. Note: The tension dial on your machine readjusts as follows:



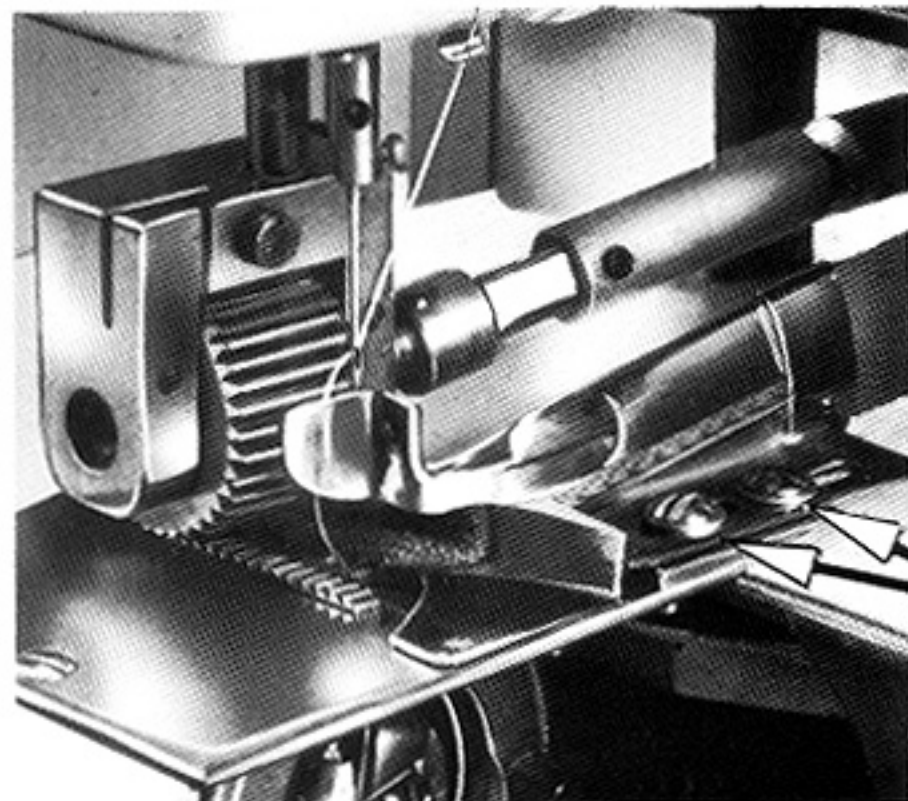
Decrease tension



Increase tension



## Binder



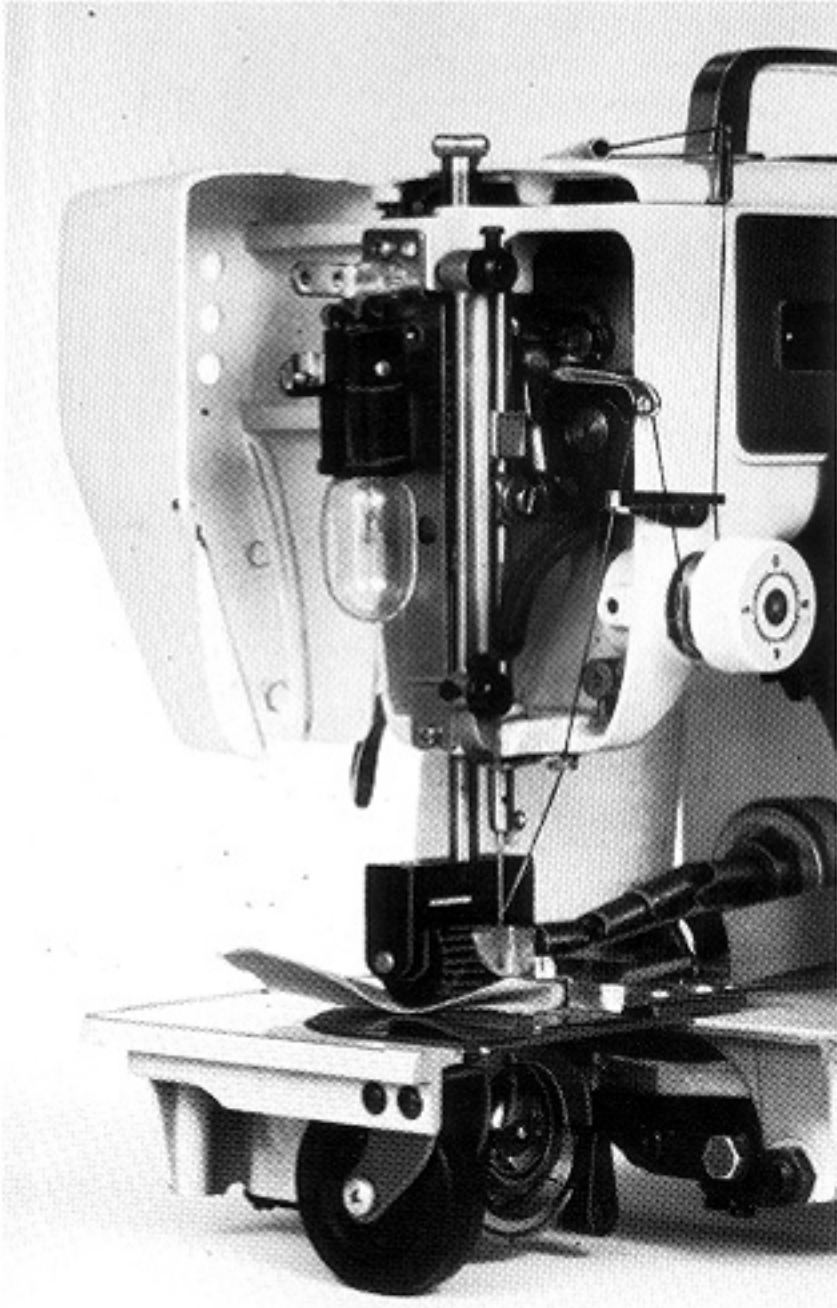
A & B

Removal, replacement, and adjustment:

To adjust binder, loosen screws (A & B) and slide binder all the way to the left with binding tape through and under the top roller feed. Tighten the binder screws and run about one foot of tape through machine. The stitch should be close to the center of the binding. If not, move binder right or left to correct.

Note: Some cut pile, long pile shag, and very thick carpets require special trimming before binding. Cut pile and long pile shags have to be beveled using a sheep shear. Dense pile or thick backed carpets cannot feed into the standard binder unless trimmed.





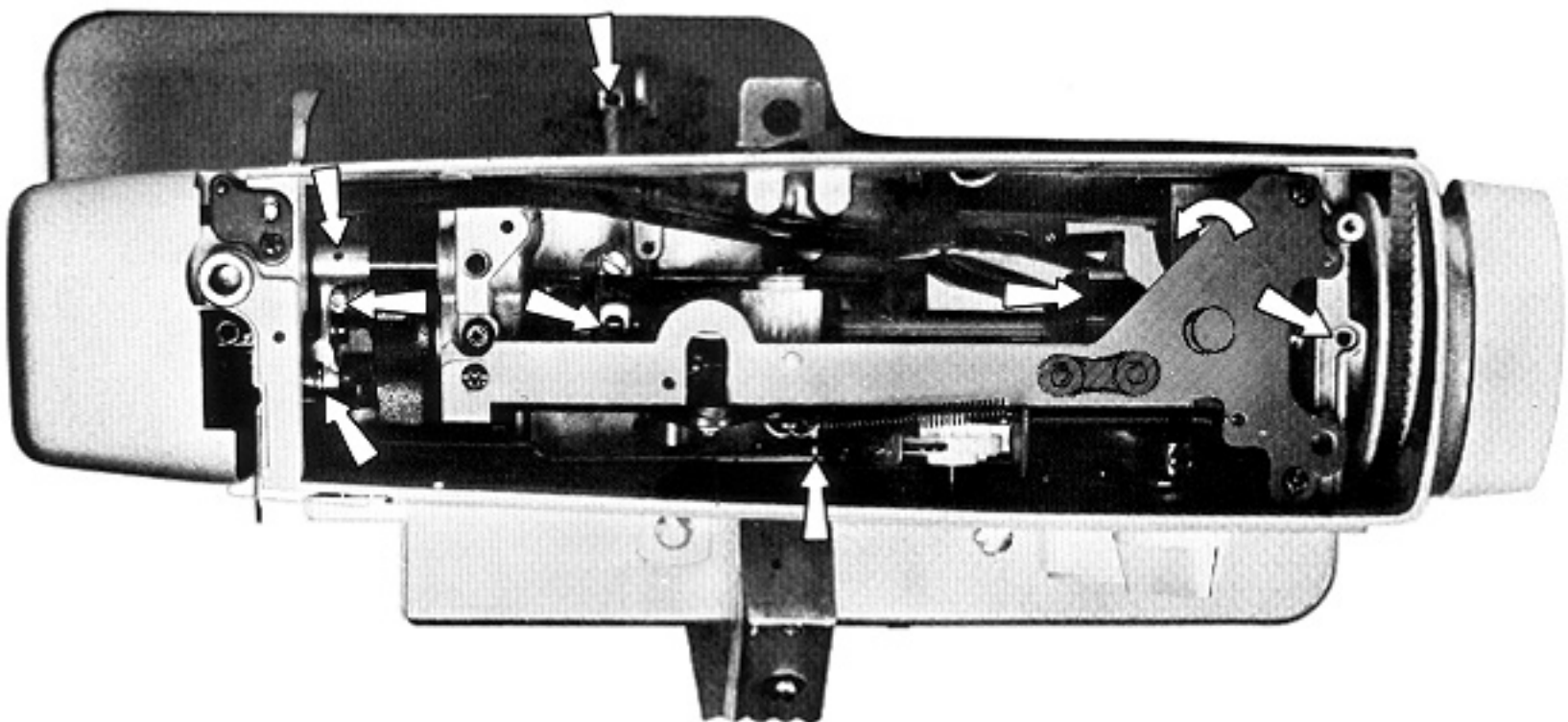
Keep moving parts free from dust and excess thread for best operation. Cleaning should be done with a small brush. The machine should be oiled once every working day, or after about eight hours use. If the machine stands idle for a prolonged period, oil it before operating.

1. Open front cover and lubricate all moving parts with one or two drops of stainless oil as supplied. Also lubricate oil hole.

2. Remove arm-cover plate to oil all moving parts as indicated at top of machine head. To remove cover plate, simply remove top screws and lift cover plate.

### **SPECIAL INSTRUCTIONS**

RACE BODY MUST HAVE DROP OF OIL APPLIED BEFORE BINDING EVERY CARPET • OIL REST OF MACHINE DAILY • DO NOT RETURN PORTABLE BINDING MACHINE IN THE CARRYING CASE FOR REPAIR, SINCE THIS WILL CAUSE DAMAGE • SAVE THE ORIGINAL SHIPPING CARTON WITH THE STYROFOAM FOR RETURNING THIS UNIT SAFELY FOR FUTURE SERVICE.



## Cleaning and Oiling (Continued)

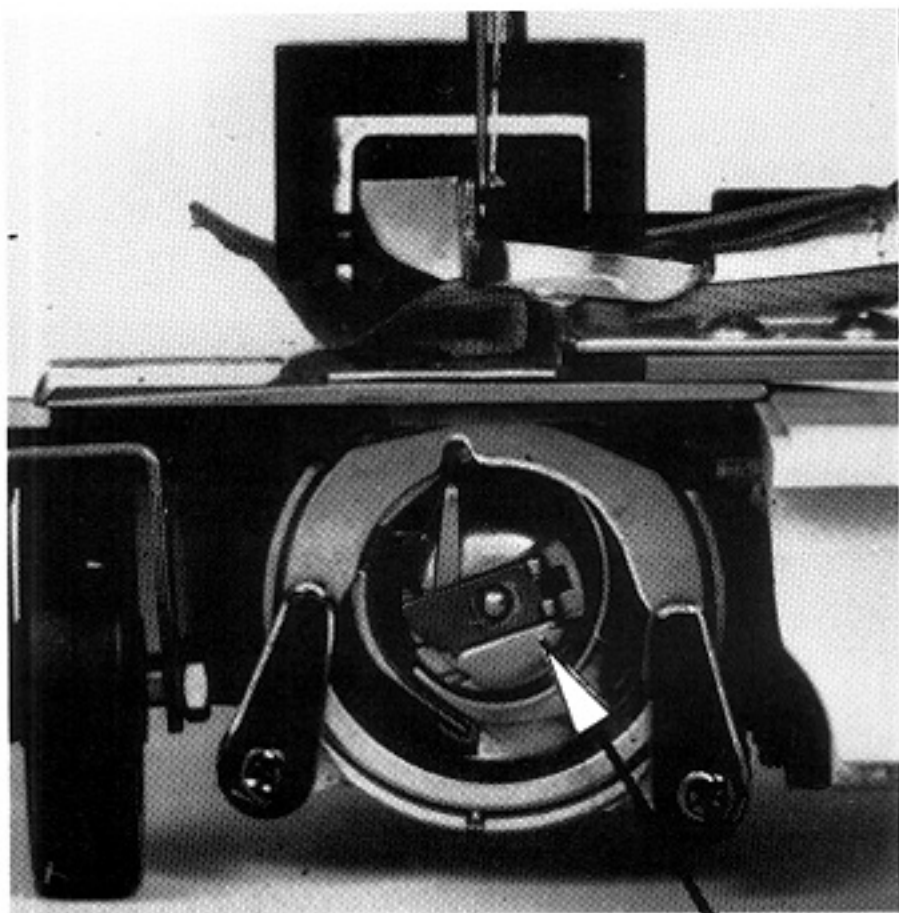


DIAGRAM A

BOBBIN CASE

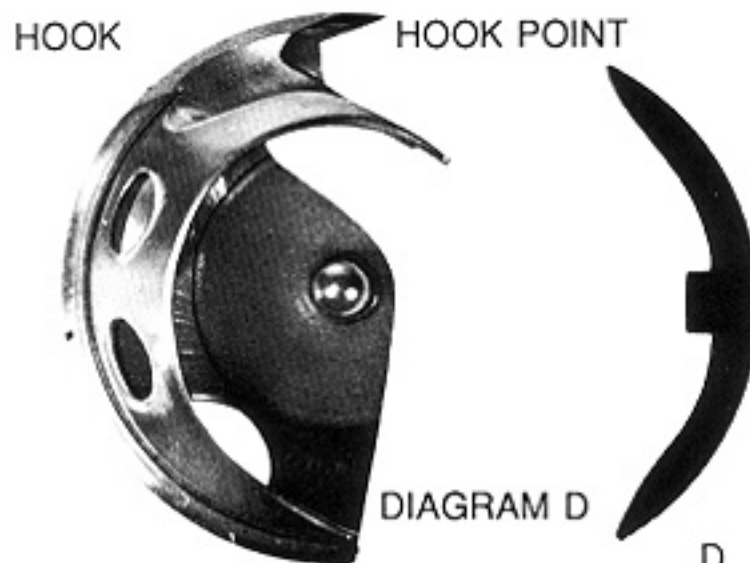
Periodically, it is necessary to clean the hook shuttle area:

1. Turn hand wheel toward you (counter-clockwise) raising the needle to its highest point.
2. Remove bobbin case (Diagram A).
3. Push latches sideways from the hook shuttle assembly (Diagram B) and lift out race cover (Diagram C). Then, holding the center pin, remove the hook (Diagram D).
4. Clean the shuttle race cleaner (E) with a small brush, tweezor, or an oiled cotton swab and remove any loose thread or lint.
5. Oil all parts and reassemble.

NOTE: Be sure the shuttle race cleaner is in place. Should the shuttle race cleaner jump out of the race body, replace it as shown in Diagram E. Insert the cleaner (E) in space (D) with the protrusion (E) fitting in the slot (F) forming a perfect circle with the driver (G). Notice cut-out on protrusion must face down.



DIAGRAM B



HOOK

HOOK POINT

DIAGRAM D

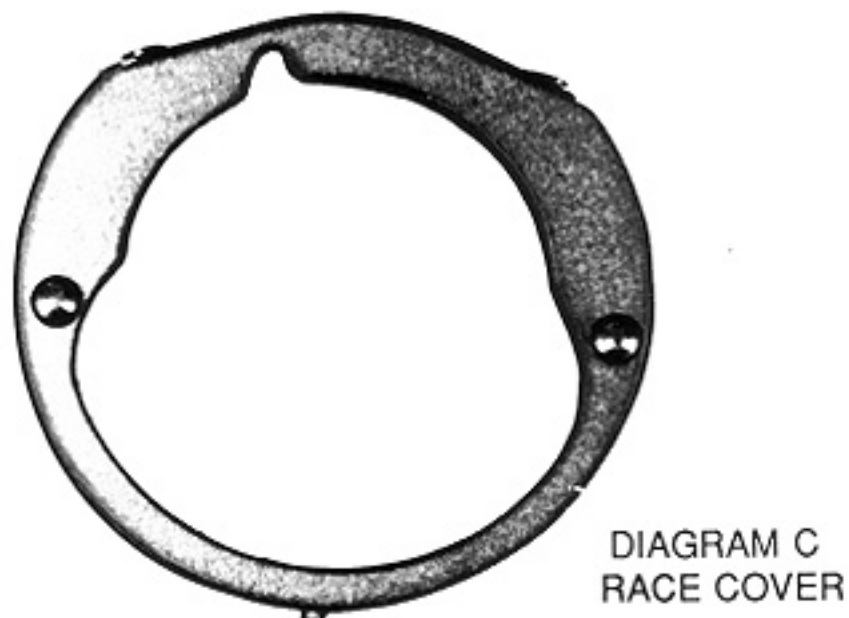
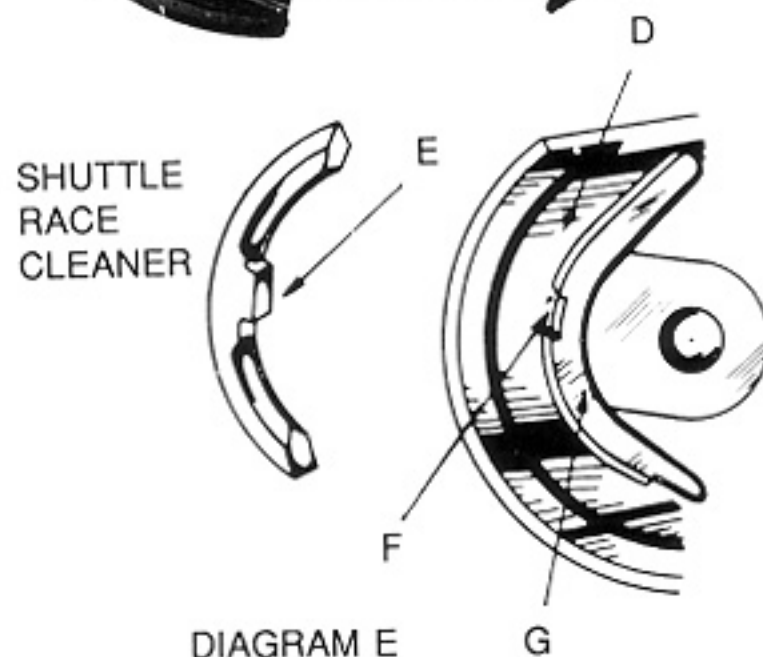


DIAGRAM C  
RACE COVER

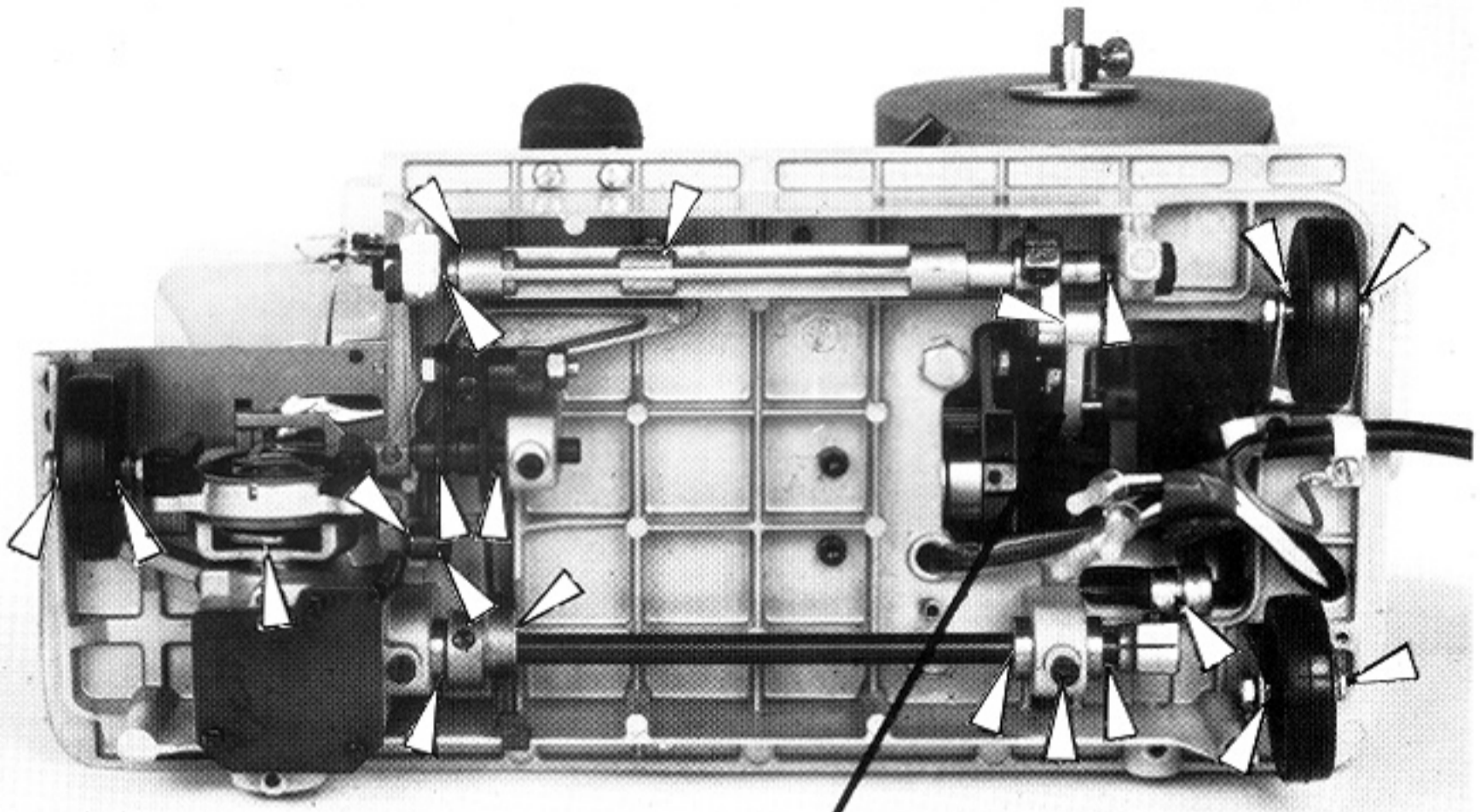


SHUTTLE  
RACE  
CLEANER

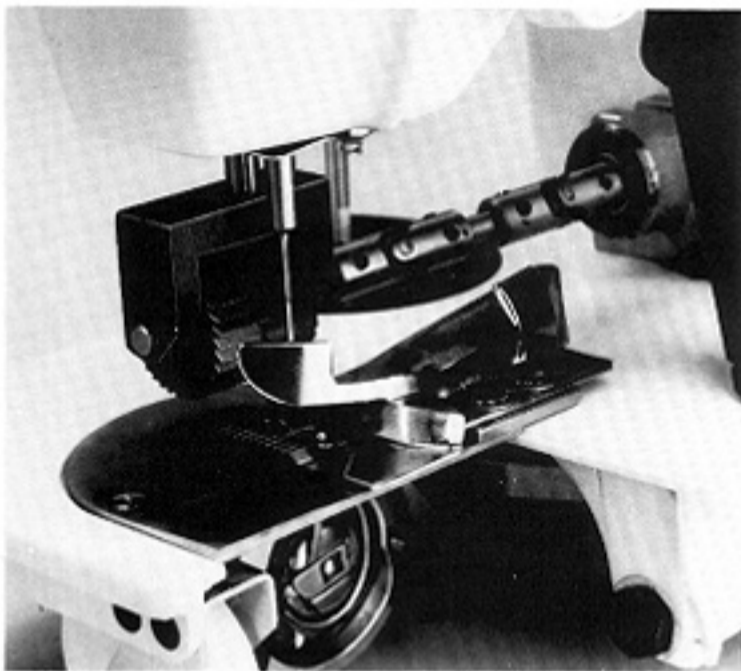
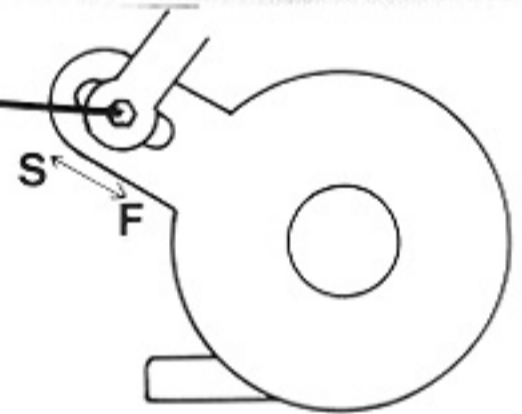
DIAGRAM E

G

Tilt machine back to oil all moving parts.  
 Oil all parts of needle bar area.  
 Oil feed wheel housing as shown.



FEED ADJUSTMENT  
 (Front Puller)



PBS-2 SINGLE PULLER

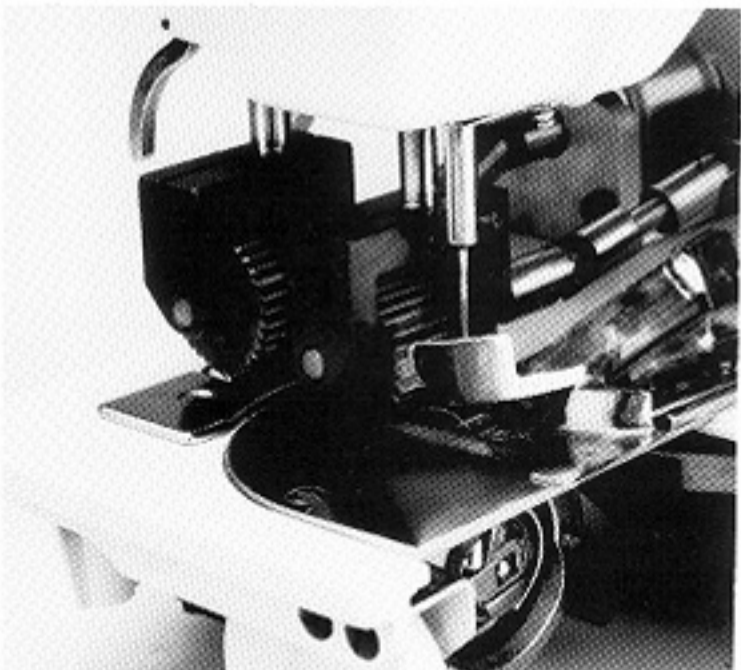
## Top Roller Feed Adjustment

(Front Puller)

When top roller feed rotates faster than the bottom feed dog, the binding may not catch or cover bottom side of the carpet. To correct, loosen nut on clutch lever (A) and move drive arm up for "slower" or down for "faster" until proper feed roller timing is achieved. Be sure to securely tighten nut when finished. For best operation, top roller and feed dog should move at the same time and speed.

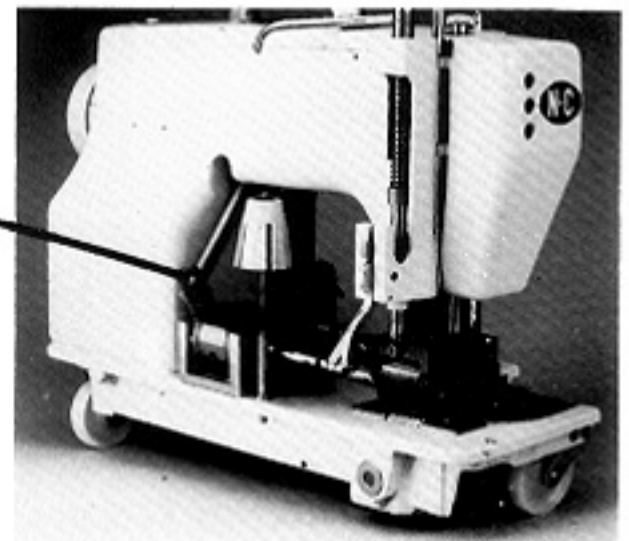
(Rear Puller)

Same as above. Clutch lever for rear puller is on top as shown.



PBT TWIN PULLER

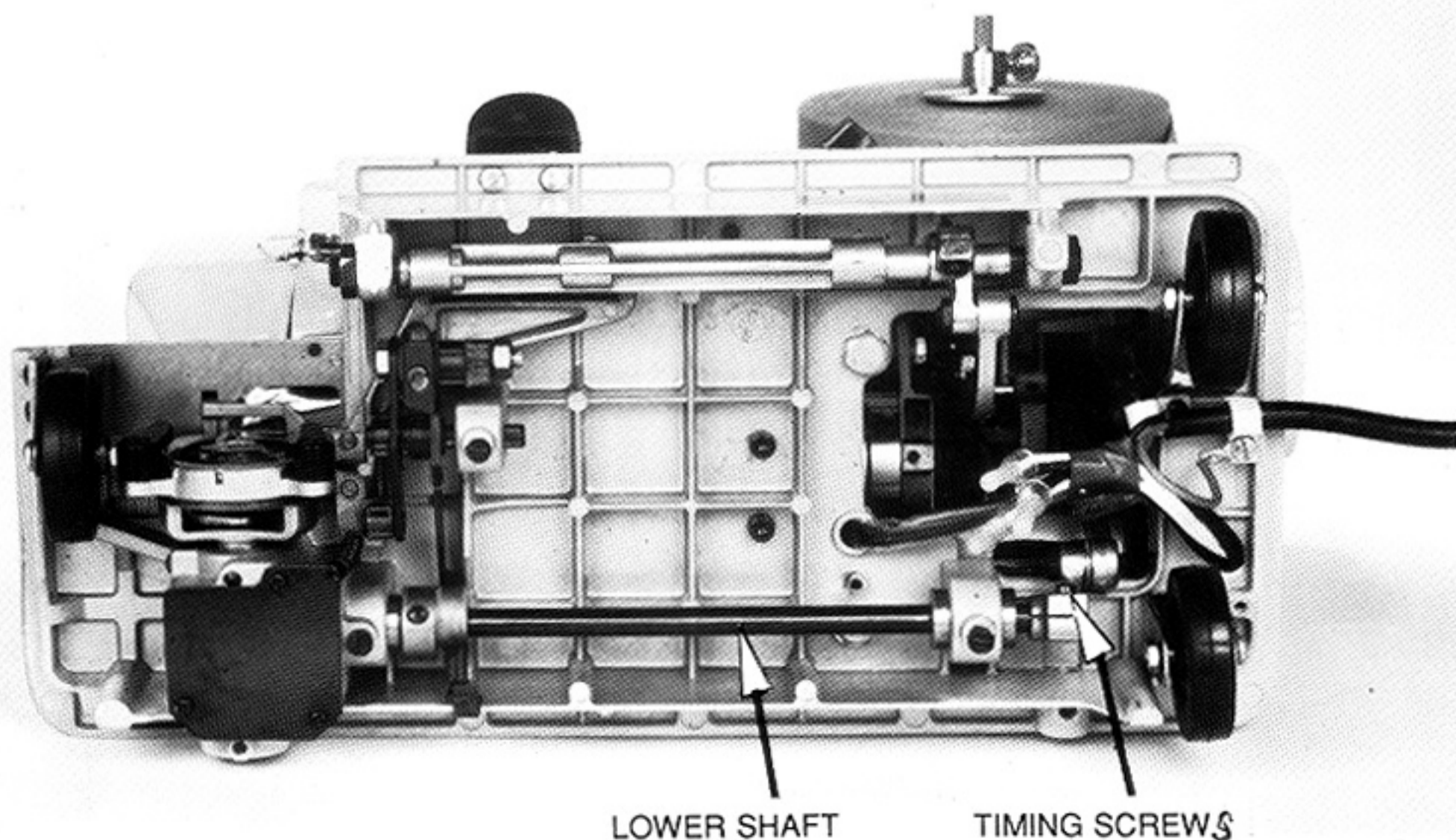
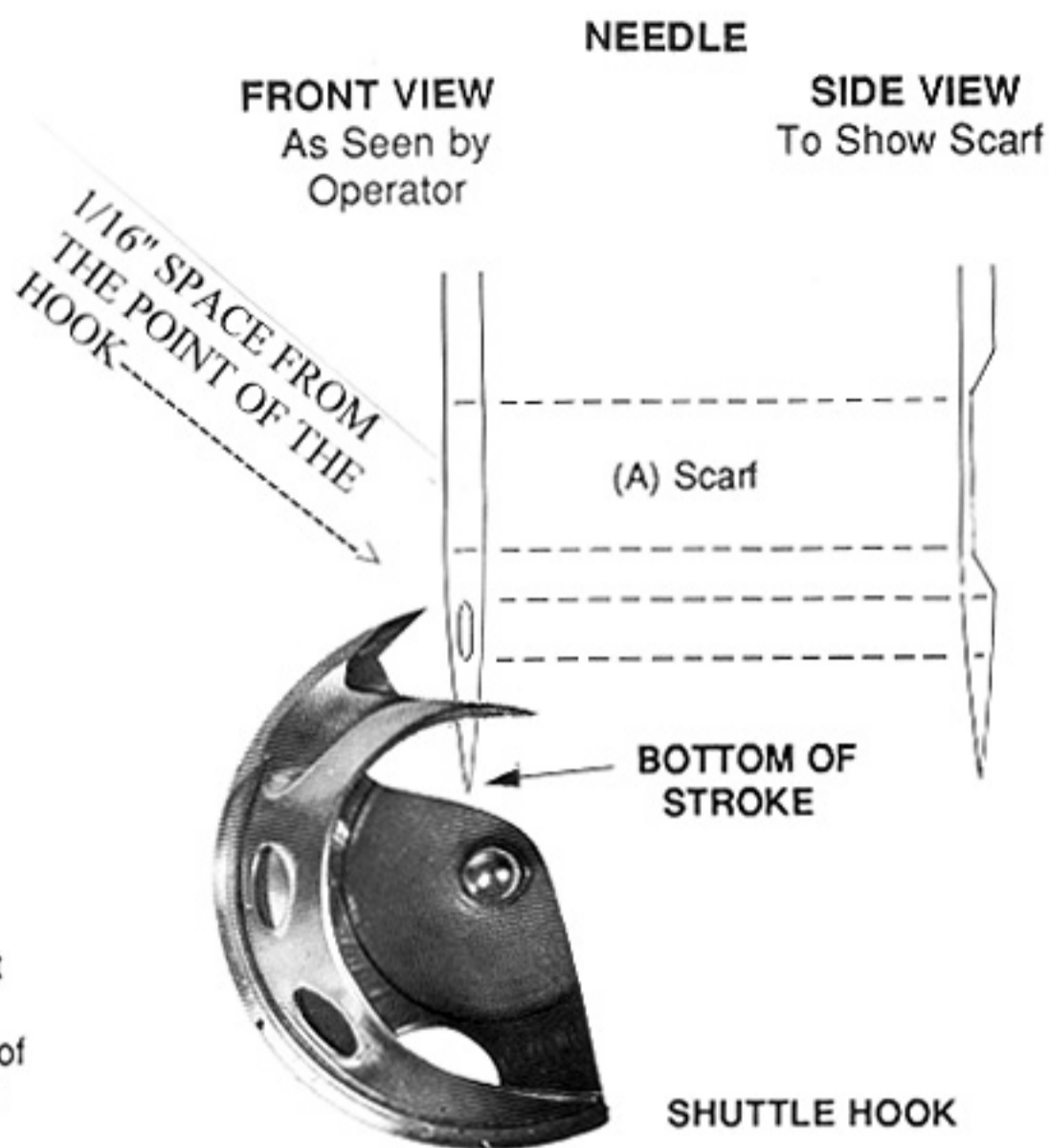
FEED ADJUSTMENT  
 (Rear Puller)



# Timing

## TIMING HOOK WITH NEEDLE

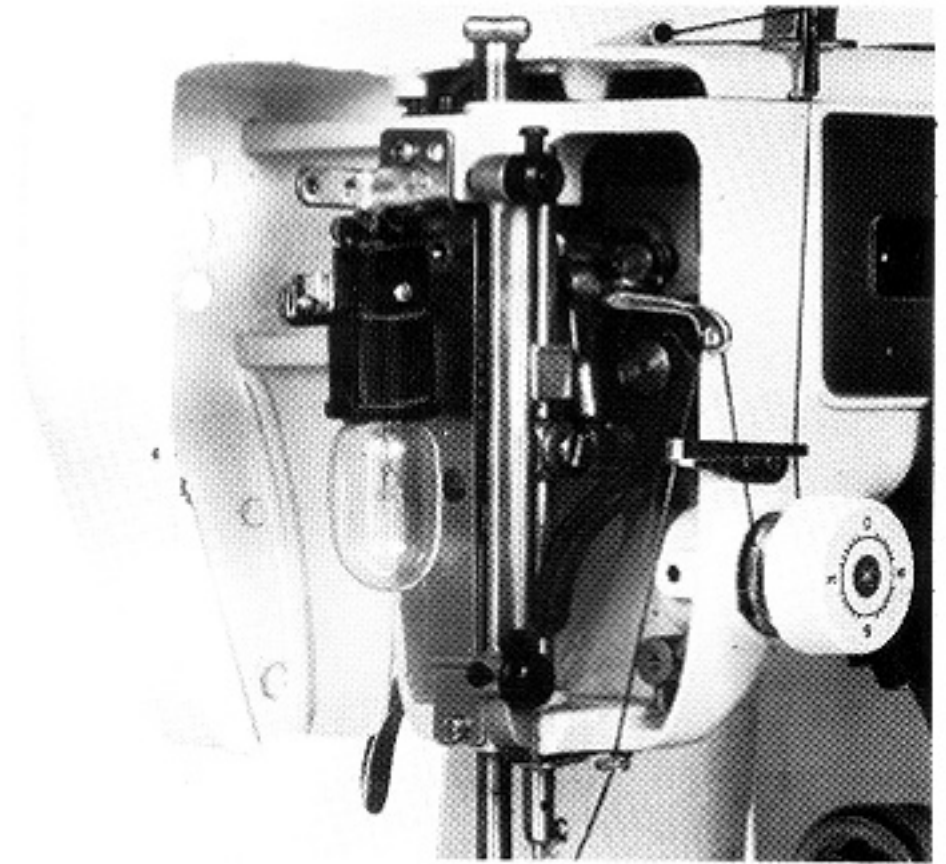
1. Tip N-C machine on backside.
2. Remove bobbin case #117.
3. Remove race shuttle ring #102.
4. Turn hand wheel toward operator until needle comes down on left side to its lowest point. Point of hook (#116) should be  $1/16$ " from needle.
5. If not, do as follows:  
Loosen timing screws. Rotate lower black shaft, noticing the hook will move left or right. Adjust per instruction (D). Tighten both timing screws.
6. Turn hand wheel toward operator until needle bar goes to right side to its lowest point. Continue turning the wheel. As needle is on its upward stroke, the point of the hook should be just above the eye of the needle by  $1/16$ ".
7. If not, loosen needle bar hexicon screw and move needle bar up or down as needed. Tighten needle bar hexicon screw.



## Sewing Light

The sewing light is located inside the face-cover plate as shown. It may be turned on or off by pushing the light switch.

To remove bulb, turn light switch off, open face-cover plate by swinging it open, turn bulb counter-clockwise, and remove from socket. To replace, turn new bulb clockwise. Do not over-tighten bulb.

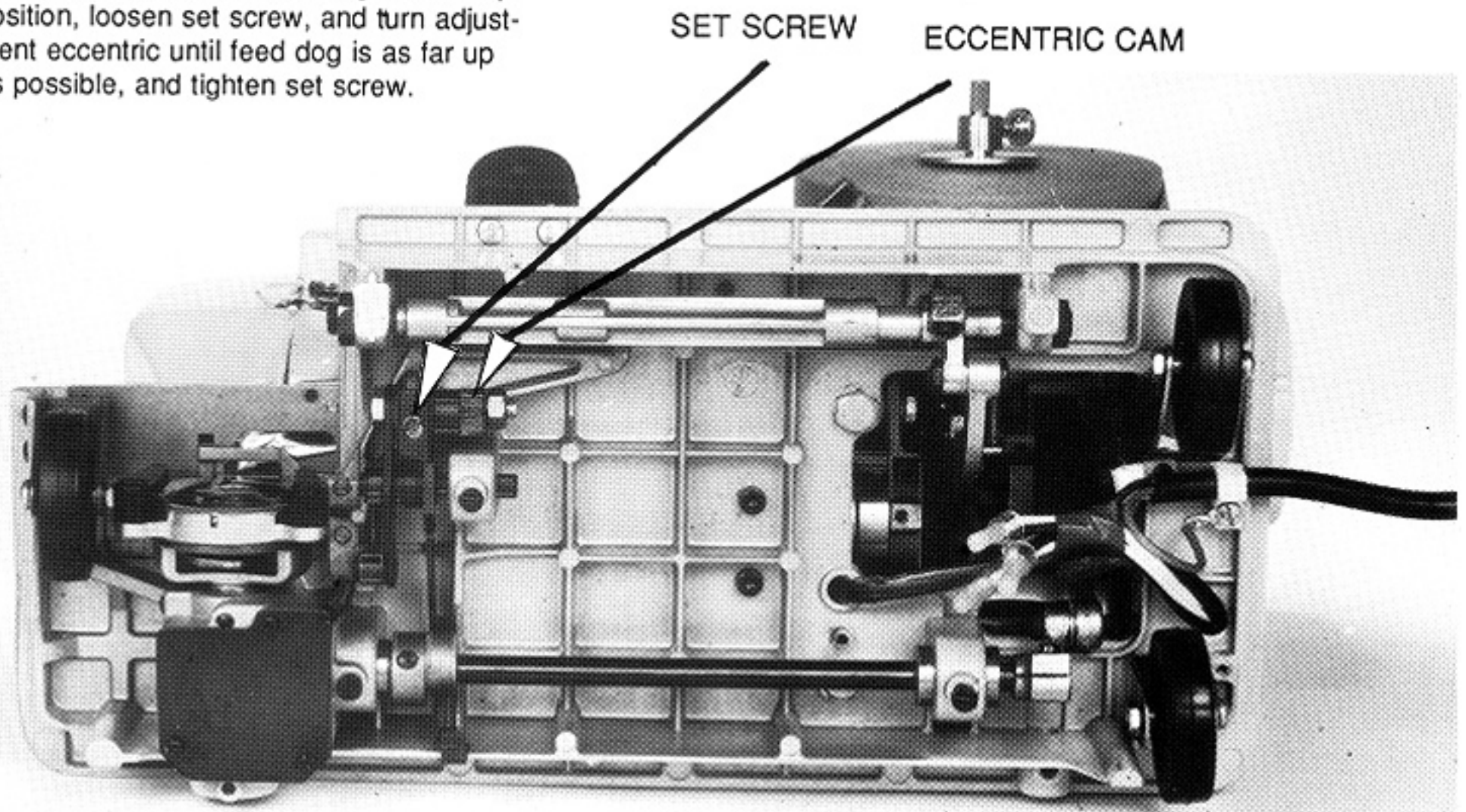


## Feed Dog Adjustment

Although pre-set at the factory, should the feed dog move out of adjustment, adjust as follows:

Before attempting to adjust feed dog, take the needle plate off and clean all lint from the feed dog area. Replace needle plate.

Turn hand wheel until feed dog is in an up position, loosen set screw, and turn adjustment eccentric until feed dog is as far up as possible, and tighten set screw.



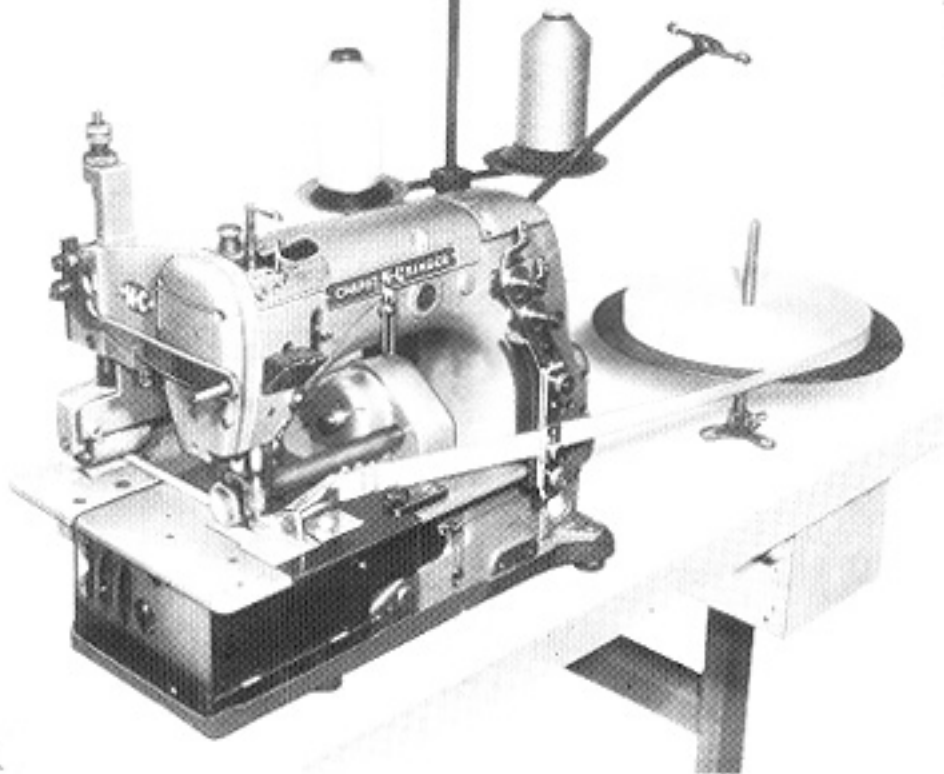
# Troubleshooting

PROBLEM	PROBABLE CAUSE	CORRECTION
Irregular Stitches	Improper threading.	Rethread machine (page 5)
	Loosen upper thread tension dial.	Adjust upper thread tension dial (page 7).
	Operator pulling carpet.	Do not pull carpet; let carpet feed naturally.
	Light pressure on top feed roller.	Rotate top roller feed pressure control roller knob clockwise to add more pressure.
Breaking Needle	Operator pulling carpet.	Do not pull carpet; let carpet feed naturally
	Incorrect size needle.	Use only N-C SYSTEMS 435 DIAMOND SIZE #22.
	Incorrect setting of needle.	Check and reset needle height (page 4).
	Hook timing out.	Check and reset (page 11).
Bunching of Thread	Loose tension(s).	Tighten and balance tension(s) (page 7).
Puckering	Incorrect thread tension(s).	Tighten and balance tension(s) (page 7)..
	Light pressure on top roller feed.	Rotate top roller feed pressure control knob clockwise to add more pressure.
	Bent or blunt needle.	Insert new needle (page 4)
Skipping Stitches	Bent or blunt needle.	Insert new needle (page 4).
	Incorrect setting of needle and needle height.	Reset needle (page 4).
	Hook timing incorrect.	Check and reset timing (page 12).
	Needle not in straight.	Straighten needle (page 4).
Breaking Needle Thread	Improper threading.	Rethread machine (page 5).
	Sharp eye in needle or bent.	Insert new needle (page 4).
	Hook too close to needle.	Replace Hook Body - worn from lack of oil, or return to factory
	Hook timing off.	Re-time (page 11).
Breaking Bobbin Thread	Improper bobbin case threading.	Check bobbin case threading (page 6).
	Tighten bobbin thread tension.	Loosen bobbin thread tension and rebalance (page 7).
	Lint in bobbin case or shuttle.	Clean bobbin case and shuttle/hook (page 10).
Carpet Not Moving	Feed dog down.	Raise feed dog (page 12).
	Light pressure on top roller feed.	Rotate top roller feed pressure control knob clockwise to add more pressure.
Machine Jamming (Knocking noise)	Thread caught in hook/shuttle.	Disassemble and clean hook/shuttle. <b>DO NOT RUN MACHINE WITHOUT BINDING.</b>
	Incorrect timing.	See page 11 to test and adjust.
	Operator pulling carpet.	If machine is being used on a table, the operator is pulling carpet too fast. If machine is being used on the floor, the operator is pulling the machine too fast. <b>Let the carpet feed naturally.</b>
Upper Thread Stitching but Breaking Under Carpet Leaving a Rat's Nest	Tension dial too loose.	Adjust and balance (page 7).
	Thread not in tension dial.	Rethread machine.

The ORIGINAL  
ONE-STEP HEAVY-DUTY  
BOBBINLESS CARPET BINDER



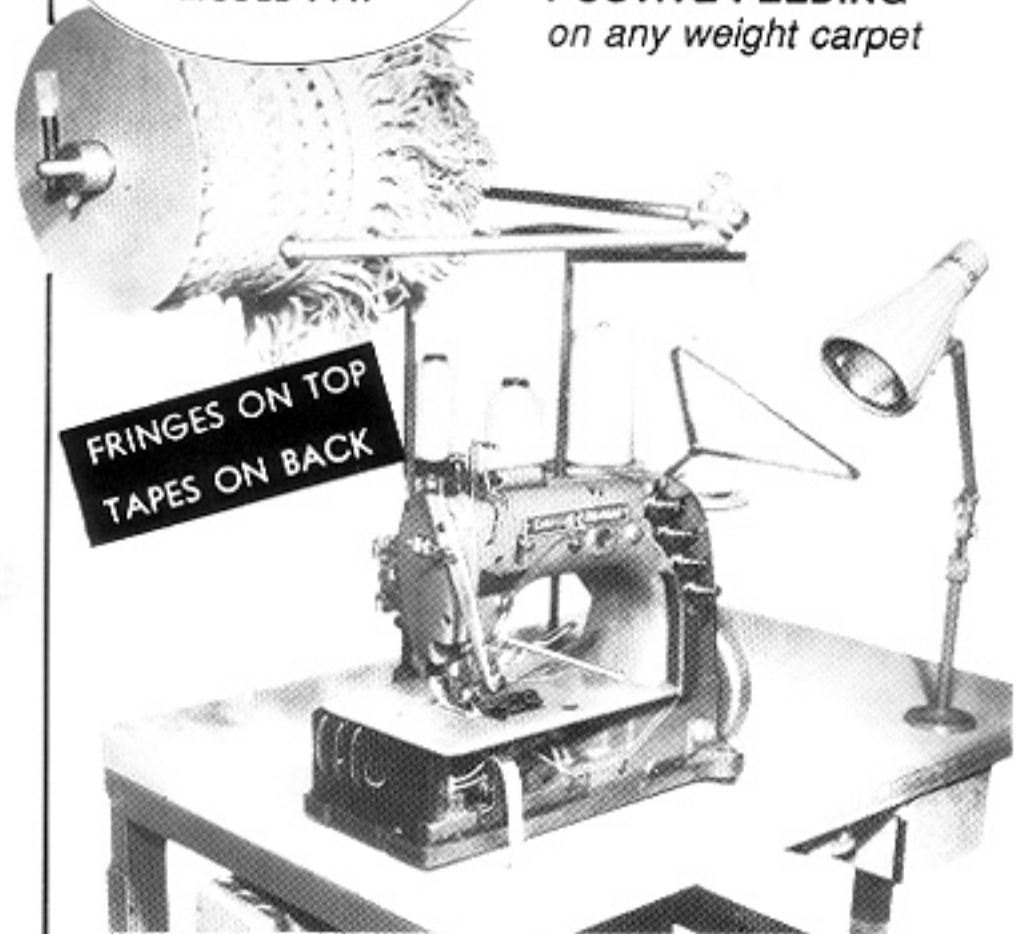
BOBBINLESS  
ZIG-ZAG  
DOUBLE  
LOCK STITCH



DOUBLE LOCK STITCH ONE-PASS  
BOBBINLESS CARPET FRINGER



FRINGE and TAPE  
IN ONE OPERATION  
EFFORTLESS,  
POSTIVE FEEDING  
*on any weight carpet*



PORTABLE CARPET CUTTER  
FOR USE ON FLOOR - TABLE TOP -  
CARPET RACKS

MODEL PC-2

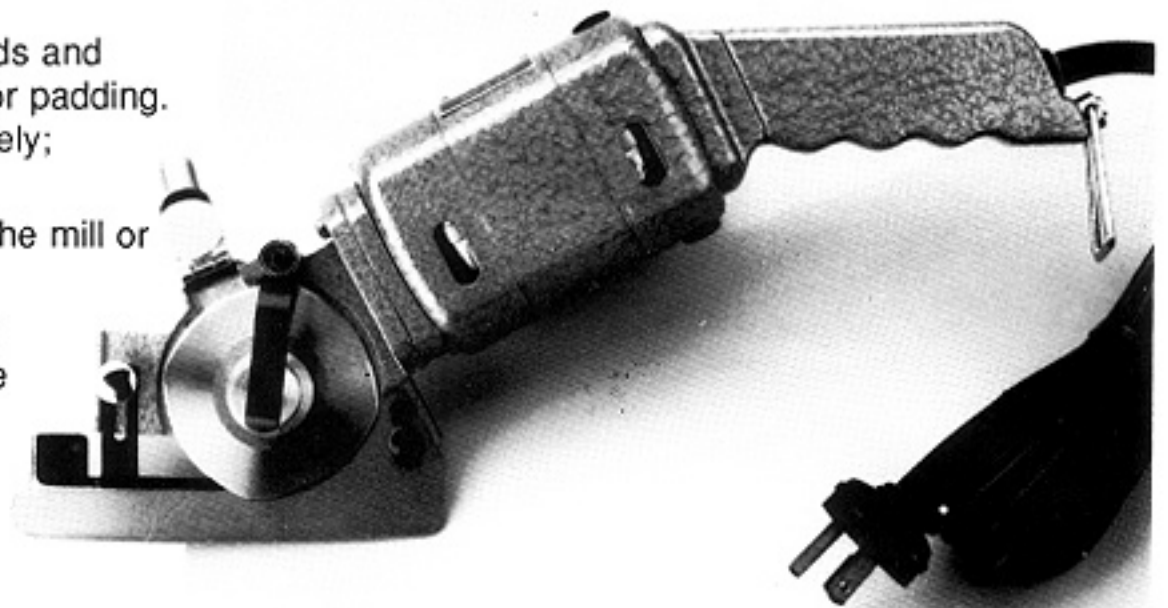
N-C's compact cutter weighs less than five pounds and cuts any weight carpet with all types of backing or padding. Cuts straight or slight curves quickly and accurately; saving time, money and labor.

Its ease of handling makes this a perfect tool in the mill or for on-the-job installation.

The Portable Carpet Cutter comes complete with extra blade, sharpening stone, lint brush and tube of lubricant.

FEATURES:

- Die-cast motor housing
- Finger-grip die-cast handle
- Lightweight (approx. 5 lbs.)
- Heavy-duty motor
- Automatic sharpener
- Fingertip on-off switch
- Adjustable pile guide
- Optional extra; removable base plate for cutting close to wall



N-C SUPPLIES

- WISS CARPET SHEARS
- 52 MONOFILAMENT THREAD (8 OZ. SPOOLS FOR PORTABLES)
- "A" BOBBINS
- N-C SEWING SOFTENER
- CARPET CEMENT (GALLONS ONLY)
- TWEEZERS — CURVED AND STRAIGHT
- SILICONE: QUARTS; PINTS; GALLONS
- BINIDNG TAPE — 3/4 & 1 1/4"
- NEEDLES: ALL TYPES

ALSO A FULL LINE OF REPLACEMENT PARTS FOR N-C AND OTHER MAKE BINDERS AND SERGERS.



SERVING THE TRADE FOR OVER  
**60 YEARS**

**OUR ONLY BUSINESS**  
is designing, engineering and manufacturing  
sewing machines and equipment for the  
carpet industry  
**-WORLDWIDE.**

# EVERYTHING YOU NEED FOR CARPET BINDING, FRINGING, CUTTING, CARVING, INLAYS, BEVELING, & SCULPTURING

FOR MANUFACTURERS, WORK ROOMS AND CUSTOM DESIGNERS

ONE STEP  
BOBBINLESS  
**BINDERS**  
PAT. #3,320,910  
TPB

ONE STEP  
**FRINGERS**  
BOBBINLESS  
FTW

PORTABLE  
**BINDERS**  
SINGLE & TWIN  
PULLERS

HEAVY DUTY  
**SERGER**  
SINGLE & TWIN  
PULLERS

AIR-DRIVEN  
**CARVERS**  
MOTOR-DRIVEN

PORTABLE  
**BEVELERS**  
CUTS 30°-90°  
ANGLES

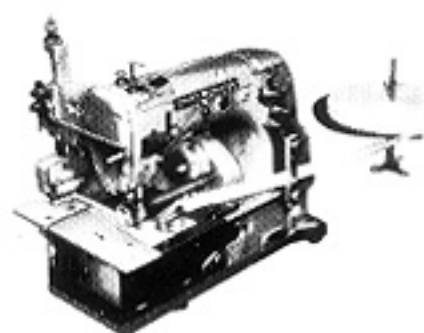
PORTABLES  
**CUTTERS**  
FLOOR MODELS

HIGH SPEED  
**TUFTING**  
GUNS

PROJECTORS  
HOT KNIVES  
GLUE GUNS  
PATTERN PAPER  
PARTS

BINDING TAPES  
COTTON OR POLY  
**ACCESSORIES**  
CARPET FRINGE  
ALL COLORS

SEND FOR COLOR CHART



**BOBBINLESS BINDER • TPB**  
Original one-step twin-feed  
bobbinless Pat. #3,320,910



**FRINGE & TAPE • FT • FTW**  
Double lock stitch, one pass  
bobbinless fringer.



**PBT-2A**  
**PBS-2A**  
**PORTABLE BINDERS**  
**SINGLE & TWIN PULLERS**  
Binds top and bottom in one  
operation. Compact, completely  
self-contained. Built-in casters.



**SAMPLE CARPET  
BINDER — SB**  
Built-in puller for  
positive feed.

**INDUSTRY'S MOST ADVANCED  
AIR-DRIVEN CARPET CARVER.  
NO CABLE! NO WIRES!  
NO BRUSHES!**

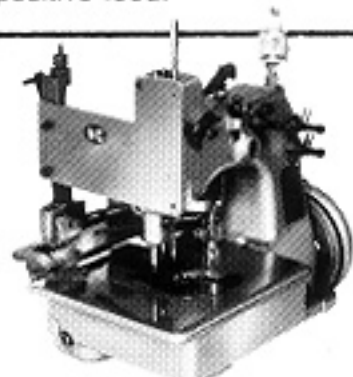
Air cooled, lightweight powerhead  
is easier to use, more maneu-  
verable, more responsive to  
intricate manipulations. The  
ultimate finishing  
tool for inlaid  
carpet creations.



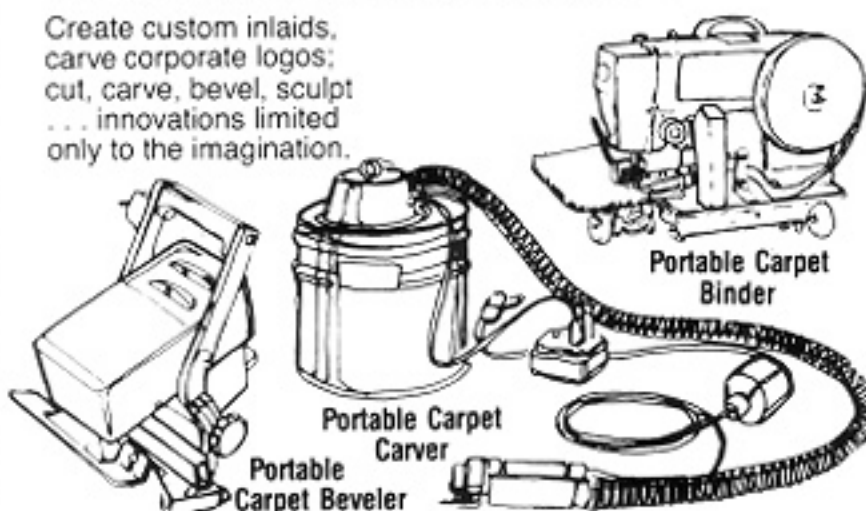
**ONLY  
35-40 PSI NEEDED!  
DESIGNED EXCLUSIVELY  
FOR CARPET CARVING!!**

**THE COMPLETE PACKAGE FOR CUSTOM  
CARPET CARVING, SCULPTURING & INLAYS**

Create custom inlaid,  
carve corporate logos;  
cut, carve, bevel, sculpt  
... innovations limited  
only to the imagination.



**HEAVY DUTY SERGERS  
81200 SERIES**  
Single, and twin pullers with  
top and bottom independent  
clutch system. Also high  
speed sergers — 860 series.



**N-C CARPET BINDING & EQUIPMENT CORP.**

858 Summer Avenue, Newark, NJ 07104  
PHONE (201)481-3500 • FAX (201)481-0839